

# SMARTFLOW<sup>®</sup>

## 1/2" Pressurized Hot Water Flowmeter



HWF4-B-60

### General Description

Smartflow Hot Water Flowmeters are durable, vane-operated devices that provide visual indication of flow rate in gallons or liters per minute. The robust flow body is machined from solid stainless steel material with 1/2"NPT or 1/2"BSPP threaded connection. The indicator ball is separated from the process by a high pressure silicone gasket and stainless steel plate. High temperature glass retains the indicator ball. This flowmeter is designed specifically for high temperature pressurized water circulating loops.

### Features and Benefits

- ◆ Compact size works well in restricted-space locations.
- ◆ Rugged construction provides years of dependable service.
- ◆ Optional Temperature Gauge provides added function.
- ◆ 400°F (204°C) Temperature Rating allows installation into high temperature applications.
- ◆ 250psi (17.2bar) Pressure Rating satisfies most pressurized water system requirements.
- ◆ Economical for use in many locations throughout the plant.
- ◆ Line mounted for easy installation without extra brackets or hardware.

### Model Numbers

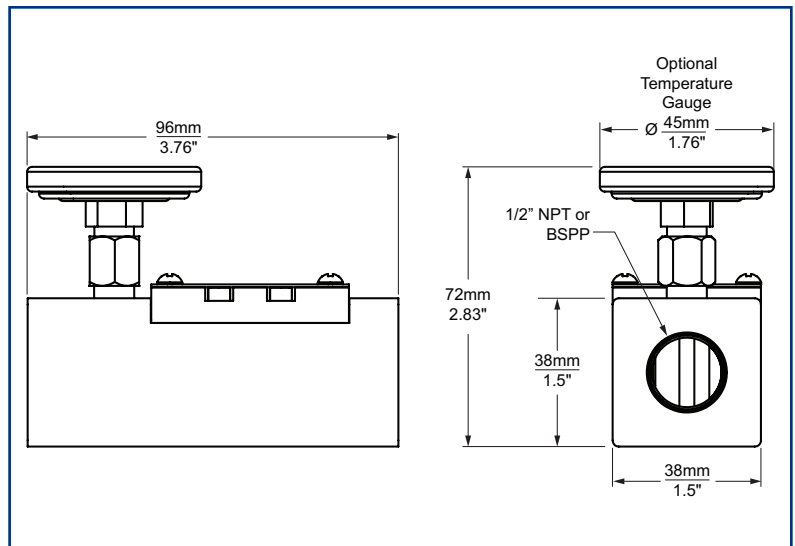
Model No.	Temp. Gauge	Inlet Size	Flow Range
<b>HWF4-A-60</b>	no	1/2"NPT	2-6 gpm
<b>HWF4-A-220</b>	no	1/2"NPT	5-22 lpm
<b>HWF4-B-60</b>	yes	1/2"NPT	2-6 gpm
<b>HWF4-B-220</b>	yes	1/2"NPT	5-22 lpm

### Wetted Parts and Materials

Flow Body..... Stainless Steel  
 Viewing Window ..... High Temperature Glass  
 Vane..... Stainless Steel  
 Spring..... Stainless Steel  
 Pin..... Stainless Steel  
 Gasket..... Silicone  
 Magnet..... Sintered Alnico 8HE

### Specifications

Threaded Connections ..... 1/2"NPT  
 Operating Temperature max..... 400°F (204°C)  
 Operating Pressure max..... 250 psi (17.2 bar)  
 Flow Range ..... 2-6 gpm or 5-22 lpm  
 Flow Accuracy ..... ±10%



*Design and specifications are subject to change without notice.*